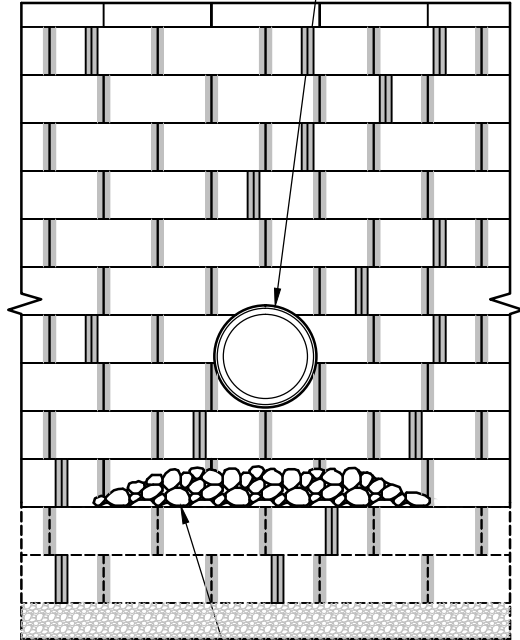
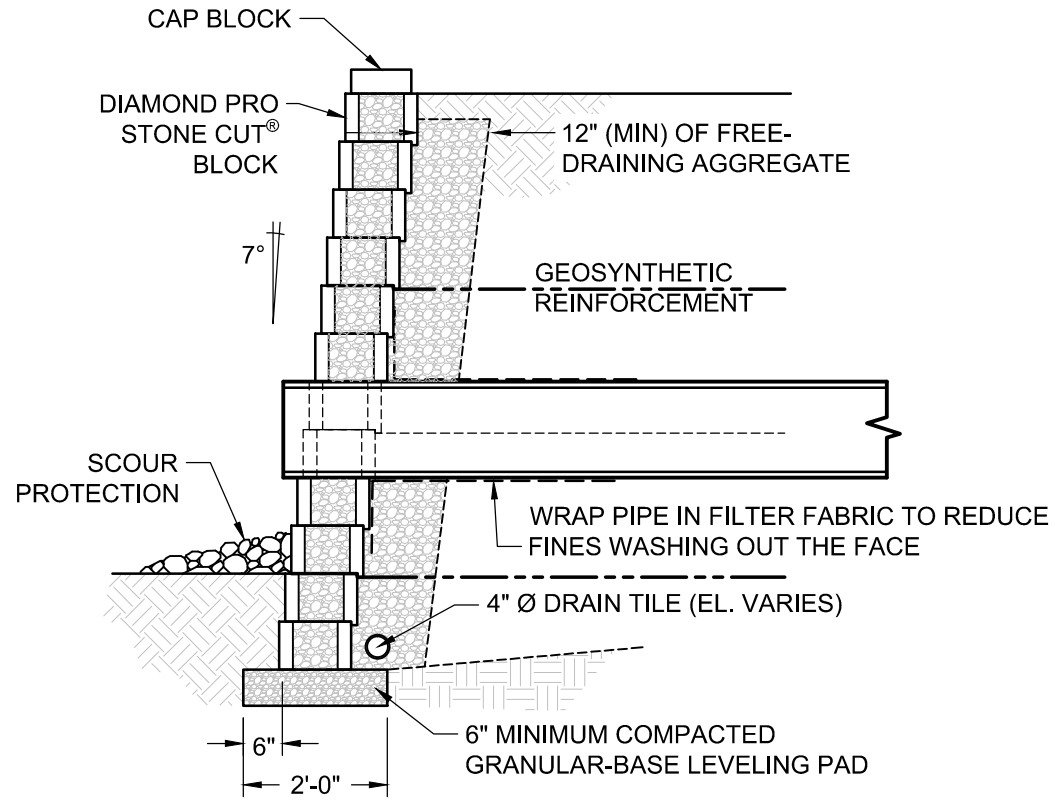


HAND CUT BLOCK UNITS  
TO WITHIN  $\frac{1}{2}$ " OF PIPE



SCOUR PROTECTION AS  
REQUIRED. USE RIPRAP OR  
PRECAST SLAB IN OUTLET  
AREA (DESIGNED BY OTHERS)

FACE VIEW



SECTION VIEW



© 2015 Anchor Wall Engineering, LLC  
© and ™ Anchor Wall Systems, Inc.  
www.anchorwall.com

This drawing is for illustrative purposes only and should not be used for construction without the signature of a registered professional engineer.

Diamond Pro Stone Cut® Virtual Joint Retaining Wall System

Typical Details for Small Utilities Through Wall

Scale:  
3/8" = 1'-0"

Drawn by:  
SB

Date:  
----

Drawing number:  
DPVJ23