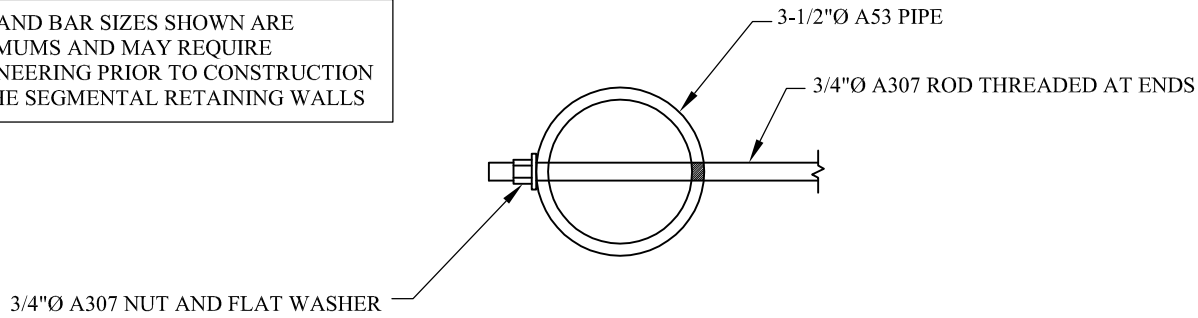


NOTE: PIPE AND BAR SIZES SHOWN ARE MINIMUMS AND MAY REQUIRE ENGINEERING PRIOR TO CONSTRUCTION OF THE SEGMENTAL RETAINING WALLS



Anchor Wall Systems, Inc.
5959 Baker Road, Suite 390
Minnetonka, MN 55345

© 2014 Anchor Wall Systems, Inc.
® and ™ Anchor Wall Systems, Inc.

Drawn By: AWE
Date: 10/30/2014
Scale: 3/8"=1'-0"

Drawing Title:
Vertica Stone Cut[®] Retaining Wall System
Typical Drop Structure Detail

Typical Details For
Segmental Retaining Walls