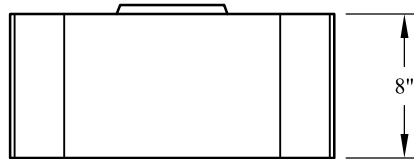
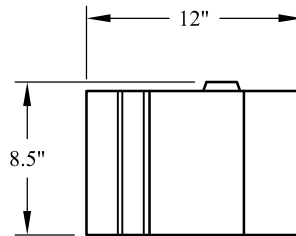


TOP VIEW

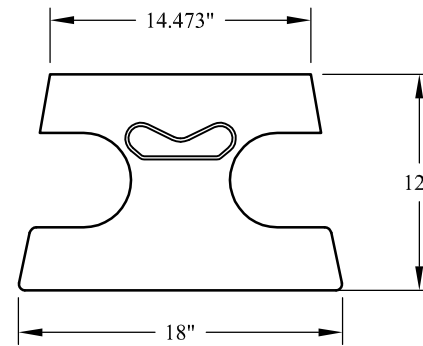


FRONT VIEW

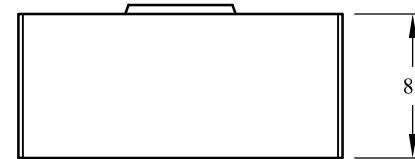


SIDE VIEW

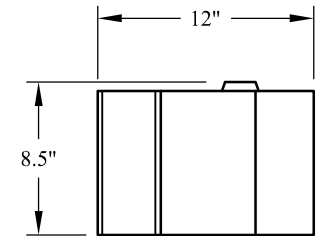
BEVELED UNITS



TOP VIEW



FRONT VIEW



SIDE VIEW

STRAIGHT UNITS



Anchor Wall Engineering, LLC
5959 Baker Road, Suite 390
Minnetonka, MN 55345

These graphic representations are intended for preliminary design purposes only and are not to be used for construction without the signature of a registered professional engineer.

© 2010 Anchor Wall Engineering, LLC
® and ™ Anchor Wall Systems, Inc.

Drawn By:	AWE
Date:	4/12/2010
Scale:	None

Drawing Title:	Vertica® Retaining Wall System Individual Block Details
Project Information:	