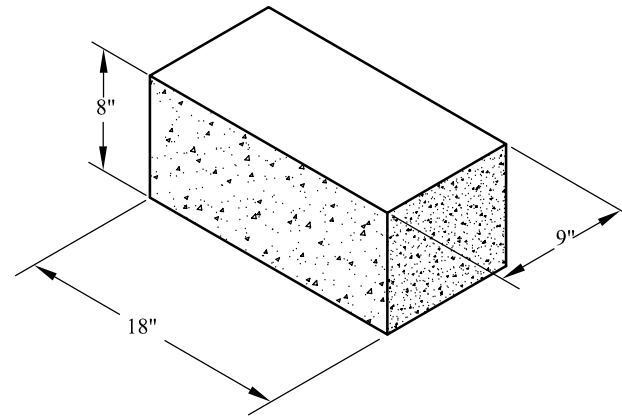
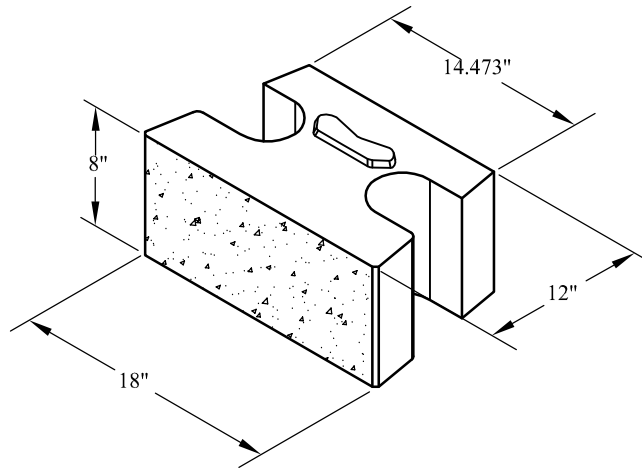


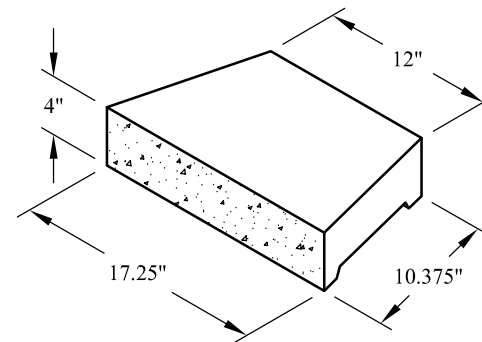
BEVELED UNIT



CORNER UNIT



STRAIGHT UNIT



CAP UNIT



Anchor Wall Engineering, LLC  
5959 Baker Road, Suite 390  
Minnetonka, MN 55345

These graphic representations are intended for preliminary design purposes only and are not to be used for construction without the signature of a registered professional engineer.

© 2010 Anchor Wall Engineering, LLC  
® and ™ Anchor Wall Systems, Inc.

Drawn By:	AWE
Date:	4/12/2010
Scale:	None

Drawing Title:	Vertica® Retaining Wall System Isometric Block Details
Project Information:	